

# BenQ

## MX550

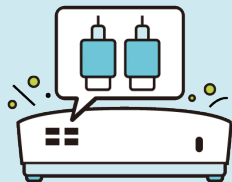
### DLP Projector



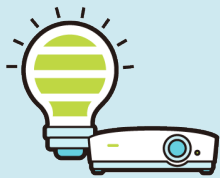
3 YEAR WARRANTY



5G Crystal Glass Lenses for Pure Clarity



Dual HDMI Inputs



BenQ SmartEco Energy Conservation

#### PRODUCT SPECIFICATION

Projection System	DLP Single 0.55" XGA
DMD type	DC3 DMD Chip
Native Resolution	1024 x 768 pixels
Brightness	3,600 ANSI Lumens
Contrast Ratio*	20,000 : 1
Display Colour	1.07 Billion Colours
Aspect Ratio	Native 4 : 3 (5 aspect ratio selectable)
Light Source	Lamp
Light Source life**	5,000 / 10,000 / 10,000 / 15,000 hours (Normal / Eco / SmartEco / Lamp save mode)
Throw Ratio	1.96~2.15
Zoom Ratio	1.1x
Lens Control	Manual Zoom and Focus
Keystone Correction	Vertical: ± 40 degrees
Projection Offset	110%±2.5%
Projection Size	30" ~ 300"
Built-in Speaker	2W
Security	Security Bar, Kensington lock
Resolution Support (RB=Reduced blanking)	VGA (640 x 480) to WUXGA_RB (1920 x 1200)
Horizontal Frequency	15~102KHz
Vertical Scan Rate	23 ~ 120 Hz
HDTV Compatibility	480i, 480p, 576i, 567p, 720p, 1080i, 1080p
Video Compatibility	NTSC, PAL, SECAM
Power Consumption	270W
Standby Power Consumption	Normal < 0.5W
Power Supply	100 ~ 240V AC
Product Dimensions (W x H x D)	296 x 120 x 221 mm
Product Weight	2.3 kg
Noise Level (Normal / Eco)	33 / 29 dBA
Operating Temperature	0 ~ 40°C
Accessories (Standard)	Remote Control AAA Battery x 2 Power Cord VGA Cable Warranty Card Quick Start Guide
Accessories (Optional)	Spare Lamp Kit (5JJHH05.001) 3D Glasses (5JJ9H25.002) Ceiling Mount
On Screen Display Language	Arabic / Bulgarian / Croatian / Czech / Danish / Dutch / English / Finnish / French / German / Greek / Hindi / Hungarian / Italian / Indonesian / Japanese / Korean / Norwegian / Persian / Polish / Portugese / Romanian / Russian / Simplified Chinese / Spanish / Swedish / Turkish / Thai / Traditional Chinese / Vietnamese (30 Languages)

\* The Contrast is measured by Full On Full Off standard.

\*\* Light Source life results will vary depending on environmental conditions and usage



ON THE BIG SCREEN



BE SEEN IN THE RIGHT LIGHT

SMALL BUT MIGHTY

Deliver your content with 3600 lumens of high brightness and industry leading 20,000:1 high contrast for unmatched readability even in well-lit meeting rooms and classrooms. The XGA native resolution paired with 5G crystal glass lenses creates superior image clarity and quality.

Suitable for flexible teaching environments classrooms project images up to 100-inch at 3.98m. The MX550 is empowered with vertical keystone correction, to counteract the trapezoid effect when the projector is placed off centre.

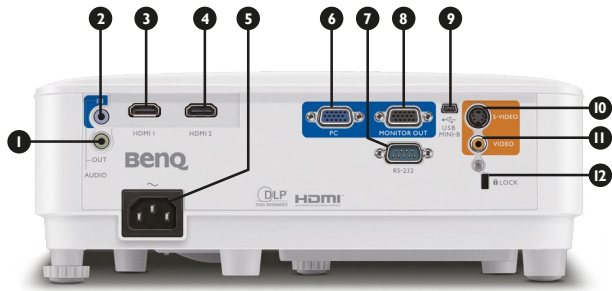


Intuitive design

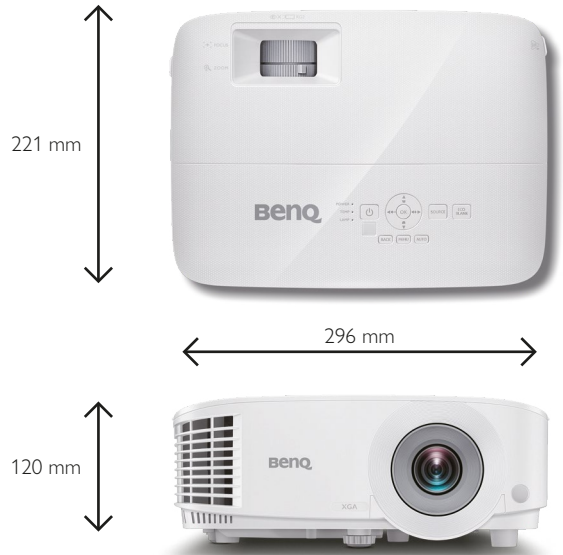
Glass lenses

Adjustable feet

## INPUT AND OUTPUT TERMINALS & DIMENSIONS (MM)



- 1 Audio output jack
- 2 Audio input jack
- 3 HDMI 1 input port
- 4 HDMI 2 input port
- 5 AC power jack
- 6 PC input (D-sub 15pin, Female)
- 7 RS-232 control port
- 8 Monitor output (D-sub 15pin, Female)
- 9 USB Mini-B port
- 10 S-Video input jack
- 11 Video input jack
- 12 Kensington anti-theft lock slot

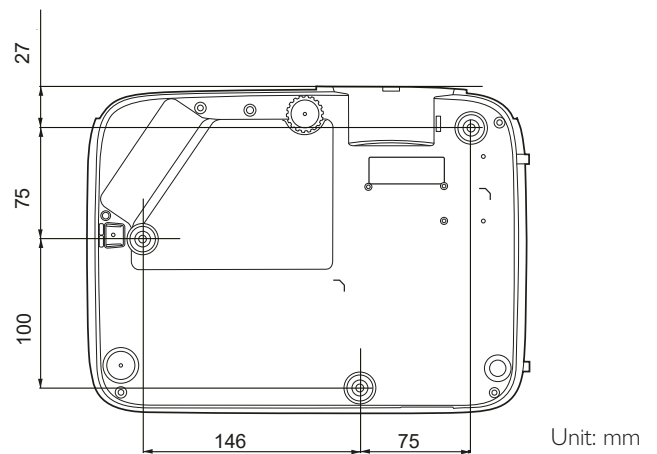


## DISTANCE CHART & CEILING MOUNT CHART

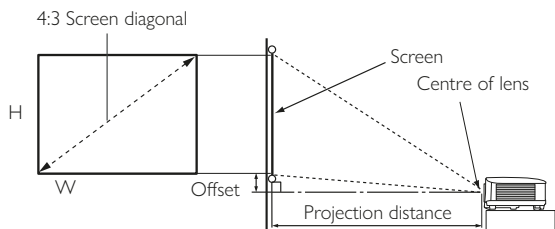
The screen aspect ratio is 4:3 and the projected picture is in a 4:3 aspect ratio

Screen size				Distance from screen (mm)			Offset (mm)
Diagonal		H (mm)	W (mm)	Min distance (max. zoom)	Average	Max distance (min. zoom)	
inch	mm						
30	762	457	610	1195	1253	1311	45
40	1016	610	813	1593	1670	1748	61
50	1270	762	1016	1991	2088	2184	76
60	1524	914	1219	2390	2505	2621	91
70	1778	1067	1422	2788	2923	3058	107
80	2032	1219	1626	3186	3341	3495	122
90	2286	1372	1829	3584	3758	3932	137
100	2540	1524	2032	3983	4176	4369	152
110	2794	1676	2235	4381	4593	4806	168
120	3048	1829	2438	4779	5011	5243	183
130	3302	1981	2642	5178	5428	5679	198
140	3556	2134	2845	5576	5846	6116	213
150	3810	2286	3048	5974	6264	6553	229
160	4064	2438	3251	6372	6681	6990	244
170	4318	2591	3454	6771	7099	7427	259
180	4572	2743	3658	7169	7516	7864	274
190	4826	2896	3861	7567	7934	8301	290
200	5080	3048	4064	7965	8352	8738	305
250	6350	3810	5080	9957	10439	10922	381

Ceiling / Wall mount screw: M4  
(Max L = 25 mm; Min L = 20 mm)



Unit: mm



## WARRANTY

BenQ's standard 3 year projection warranty applies, including product collection, repair & return. It is also protected with a 1 year or 2000 hours lamp warranty (whichever soonest).

For more information contact your BenQ representative or our customer care team at [www.benq.co.uk](http://www.benq.co.uk)

**BenQ**

© 2021 BenQ Corp. Specifications may vary by region, please visit your local stores for details. Actual product's features and specifications are subject to change without notice. This material may include corporate names and trademarks of third parties which are the properties of the third parties respectively.



[www.benq.eu/en-uk/business/index.html](http://www.benq.eu/en-uk/business/index.html)